

aiwa

Compact Disc Stereo System

XR-M171

U

COMPACT
disc
DIGITAL AUDIO

For assistance and information

call toll free 1-800-BUY-AIWA

(United States and Puerto Rico)

8B-CLW-901-01
010110AYH-X6

OPERATING INSTRUCTIONS

E (English)

MANUAL DE INSTRUCCIONES

E (Español)

MODE D'EMPLOI

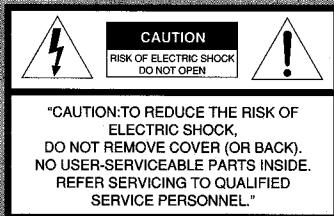
F (Français)

PRECAUTIONS

Read these Operating Instructions carefully and completely before operating the unit. All precautions on this booklet and on the unit should be strictly followed. Keep the Operating Instructions for future reference.

WARNING

To reduce the risk of fire or electric shock, do not expose this appliance to rain or moisture.



Explanation of Graphical Symbols:


The lightning flash with arrowhead symbol, within an equilateral triangle, is intended to alert the user to the presence of uninsulated "dangerous voltage" within the product's enclosure that may be of sufficient magnitude to constitute a risk of electric shock to persons.



The exclamation point within an equilateral triangle is intended to alert the user to the presence of important operating and maintenance (servicing) instructions in the literature accompanying the appliance.



Installation

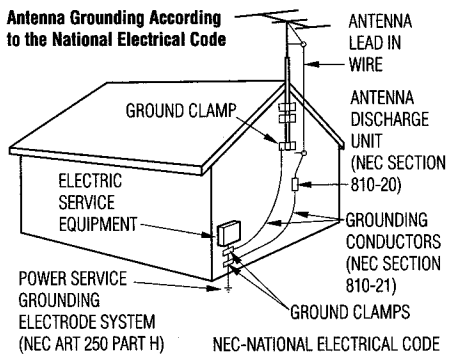
- 1 Water and moisture** — Do not use this unit near water, such as near a bathtub, washbowl, swimming pool, or the like.
- 2 Heat** — Do not use this unit near sources of heat, including heating vents, stoves, or other appliances that generate heat. It also should not be placed in temperatures less than 5°C (41°F) or greater than 35°C (95°F).
- 3 Mounting surface** — Place the unit on a flat, even surface.
- 4 Ventilation** — The unit should be situated with adequate space around it so that proper heat ventilation is assured. Allow 10 cm (4 in.) clearance from the rear and the top of the unit, and 5 cm (2 in.) from each side.
 - Do not place the unit on a bed, rug, or similar surface that may block the ventilation openings.
 - Do not install the unit in a bookcase, cabinet, or airtight rack where ventilation may be impeded.
- 5 Objects and liquid entry** — Take care that objects or liquids do not get inside the unit through the ventilation openings.
- 6 Carts and stands** — When placed or mounted on a stand or cart, the unit should be moved with care. Quick stops, excessive force, and uneven surfaces may cause the unit or cart to overturn or fall.
- 7 Condensation** — Moisture may form on the CD pickup lens when:
 - The unit is moved from a cold spot to a warm spot
 - The heating system has just been turned on
 - The unit is used in a very humid room
 - The unit is cooled by an air conditionerWhen this unit has condensation inside, it may not function normally. Should this occur, leave the unit for a few hours, then try to operate again.
- 8 Wall or ceiling mounting** — The unit should not be mounted on a wall or ceiling, unless specified in the Operating Instructions.

Electric Power

- 1 Power sources** — Connect this unit only to power sources specified in the Operating Instructions, and as marked on the unit.
- 2 Polarization** — As a safety feature, some units are equipped with polarized AC power plugs which can only be inserted one way into a power outlet. If it is difficult or impossible to insert the AC power plug into an outlet, turn the plug over and try again. If it still does not easily insert into the outlet, please call a qualified service technician to service or replace the outlet. To avoid defeating the safety feature of the polarized plug, do not force it into a power outlet.
- 3 AC power cord**
 - When disconnecting the AC power cord, pull it out by the AC power plug. Do not pull the cord itself.
 - Never handle the AC power plug with wet hands, as this could result in fire or shock.
 - Power cords should be firmly secured to avoid being severely bent, pinched, or walked upon. Pay particular attention to the cord from the unit to the power outlet.
 - Avoid overloading AC outlets and extension cords beyond their capacity, as this could result in fire or shock.
- 4 Extension cord** — To help prevent electric shock, do not use a polarized AC power plug with an extension cord, receptacle, or other outlet unless the polarized plug can be completely inserted to prevent exposure of the blades of the plug.
- 5 When not in use** — Unplug the AC power cord from the power outlet if the unit will not be used for several months or more. When the cord is plugged in, a small amount of current continues to flow to the unit, even when the power is turned off.

Outdoor Antenna

- 1 **Power lines** — When connecting an outdoor antenna, make sure it is located away from power lines.
- 2 **Outdoor antenna grounding** — Be sure the antenna system is properly grounded to provide protection against unexpected voltage surges or static electricity build-up. Article 810 of the National Electrical Code, ANSI/NFPA 70, provides information on proper grounding of the mast, supporting structure, and the lead-in wire to the antenna discharge unit, as well as the size of the grounding unit, connection to grounding terminals, and requirements for grounding terminals themselves.



Maintenance

Clean the unit only as recommended in the Operating Instructions.

Damage Requiring Service

- Have the units serviced by a qualified service technician if:
- The AC power cord or plug has been damaged
 - Foreign objects or liquid have gotten inside the unit
 - The unit has been exposed to rain or water
 - The unit does not seem to operate normally
 - The unit exhibits a marked change in performance
 - The unit has been dropped, or the cabinet has been damaged
- DO NOT ATTEMPT TO SERVICE THE UNIT YOURSELF.**

OWNER'S RECORD

Record the model number and serial number of your set (found at the rear of your set) below. Refer to them when contacting your Aiwa dealer.

Model No. _____

Serial No. _____

TABLE OF CONTENTS

- PRECAUTIONS 2
- PREPARATIONS 4
- PARTS AND CONTROLS 4
- ADJUSTMENTS BEFORE OPERATIONS 7
- SOUND ADJUSTMENTS 8
- RADIO OPERATIONS 9
- CD OPERATIONS 10
- TAPE OPERATIONS 12
- TIMER OPERATIONS 15
- REFERENCE 16

System and accessories

- XR-M171
- CX-LM171 Compact disc stereo cassette receiver
- SX-LM171 Speakers
- Remote control
- FM antenna
- AM antenna



As an ENERGY STAR® Partner, AIWA has determined that this product meets the ENERGY STAR® guidelines for energy efficiency.

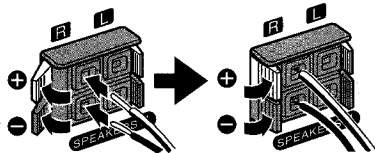
PREPARATIONS

Connection

Plug in the AC power cord to the AC power outlet after all other connections are made.

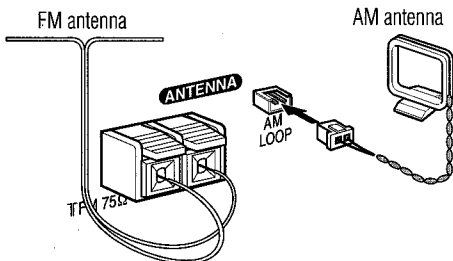
1 Connect the speakers.

Connect the right speaker to the SPEAKERS R terminals and the left to the SPEAKERS L terminals. The speaker cords with the white stripes go to the \oplus terminals.



2 Connect the supplied antennas.

Connect the FM antenna to the FM 75 Ω terminals and the AM antenna to the AM LOOP terminals.



3 Connect the AC power cord to an AC outlet.

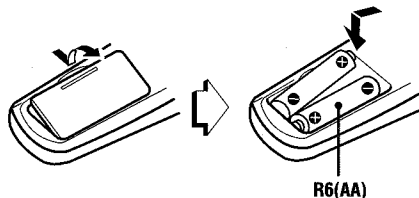
When the AC power cord is connected to an AC outlet for the first time, DEMO appears on the display.

To deactivate the DEMO, press DEMO/ECO.

- Do not short-circuit the \oplus and \ominus speaker cord leads.
- Do not leave objects generating magnetism or objects affected by magnetism near the speakers.

Remote control

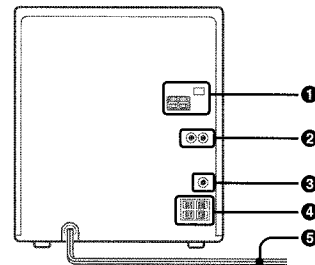
Detach the battery compartment lid at the rear of the remote control and insert two R6 (size AA) batteries with correct polarity.



- Replace the batteries with new ones when the operational distance between the remote control and main unit becomes shorter.
- Remove the batteries if the unit is not going to be used for an extended period of time.
- The remote control may not operate if it is used under intense sunlight, etc., or if its line of sight is obstructed.

PARTS AND CONTROLS

Main unit: rear



1 AM LOOP, FM 75 Ω terminals

Plug in the supplied AM and FM antennas here.

2 VIDEO/AUX jacks

Accepts analog sound signals from external equipment. Connect using an optional connecting cable with RCA phono plugs (red plug to R jack, white plug to L jack). Refer also to the operating instructions of your equipment. To switch function to external input, press AUX/VIDEO to select the VIDEO/AUX/TV function.

Tip:

To change the displayed name for this function, turn the unit on, then hold down AUX/VIDEO and press POWER. Repeat the procedure to select one of "VIDEO", "AUX" or "TV".

3 SUB WOOFER jacks

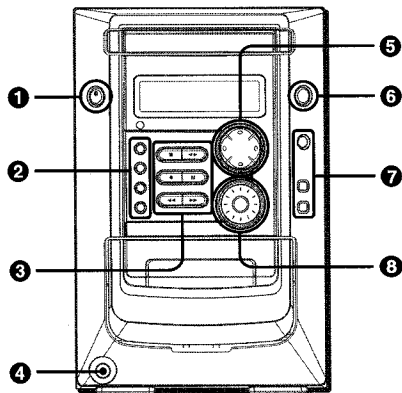
Connect an optional powered sub woofer with built-in amplifier to the jack.

4 SPEAKERS terminals

Connect the speaker cord of the supplied front speakers here.

5 AC power cord

Main unit: front



1 POWER \odot STANDBY/ON

Switches the unit on and off (Standby).

2 CD BLANK SKIP

The silent portions between tracks recorded on a CD can be skipped during playback.

DEMO/ECO

When the unit is turned off: switches DEMO and ECO on and off.

When the unit is turned on: switches dimmer on and off.

TIMER

Enters timer setting mode.

SLEEP

Enters sleep setting mode.

3 ■ CLEAR

CD and Tape: stops playback.

Radio: clears a station preset.

◀▶ DIR/PRESET

CD: starts playback.

Tape: starts playback and changes direction.

Radio: tunes into a preset station.

● REC/REC MUTE

Starts recording.

|| SET

CD and Tape: pauses playback.

Radio: stores the received station to preset.

◀◀/◀◀DOWN, ▶▶/▶▶UP TUNING

CD: skips to a previous or a succeeding track when pressed, searches a track in fast forward or fast reverse playback when held down.

Tape: fast forwards or rewinds the tape.

Radio: manually tunes down or up within the band.

4 PHONES jack

Plug in here an optional headphones set with a standard stereo plug ($\varnothing 3.5$ mm). Speaker output is canceled.

5 TUNER/BAND

Selects Radio function and the radio band.

CD

Selects CD function.

TAPE/REV MODE

Selects Tape function and playback mode.

AUX/VIDEO

Selects the function of external equipment connected to VIDEO/AUX jacks.

6 ▲ CD OPEN/CLOSE

Opens or closes the disc compartment.

7 Q SOUND

Enhances three dimensional sound area for stereo sources.

JOG MODE

Switches between T-BASS, GEQ and volume mode.

ENTER

Confirms clock and timer operations.

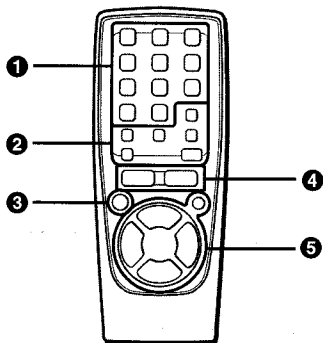
8 VOLUME/MULTI JOG

VOLUME: adjusts the volume.

MULTI JOG: selects T-BASS and GEQ level.

En

Remote control



En

Buttons with same or similar names with the main unit basically have the same function.

① 0-9, +10

CD: selects a CD track of the specified number.

Radio: tunes in to the station with the specified preset number.

② DISPLAY

Displays clock time, volume mode and the remaining time of a CD when pressed during playback.

BAND

Switches the radio band.

EQ

Selects a sound equalization curve.

REPEAT

Enters repeat mode.

MODE

CD: enters random, programmed, edited CD recording mode.

Radio: switches between stereo or monaural FM reception.

FUNCTION

Switches the active function among CD, TAPE, TUNER/BAND and AUX/VIDEO.

③ POWER

④ VOL (▲, ▼)

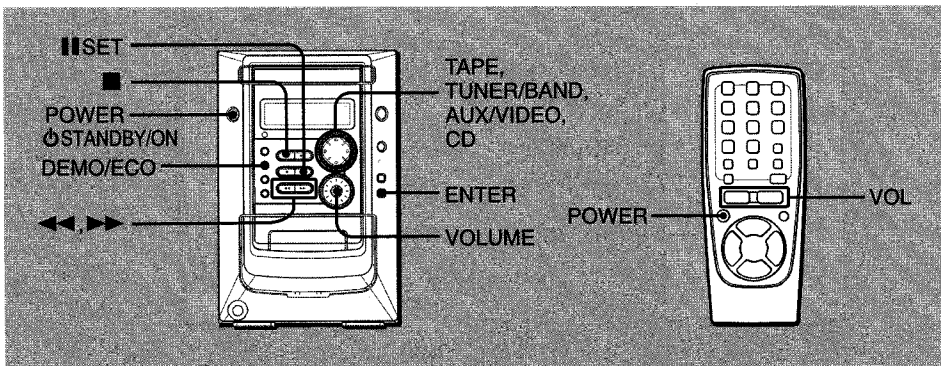
⑤ || PAUSE

▶ PLAY

◀◀/|◀◀DOWN, ▶▶/▶▶UP TUNING

■ STOP

ADJUSTMENTS BEFORE OPERATIONS



DIMMER mode

Press DEMO/ECO during any function mode (CD, TAPE, TUNER/BAND, AUX/VIDEO).

The display is dimmer than usual, press DEMO/ECO again to restore normal display.

En

Power

Turning the unit on

Press POWER \odot STANDBY/ON (POWER on the remote control).

Or press TAPE, TUNER/BAND, AUX/VIDEO or CD, the playback will start automatically if a disc or tape is inserted.

Turning the unit off

Press POWER \odot STANDBY/ON again.

The unit goes into standby.

Volume

Turn VOLUME (Press VOL \wedge , \vee on the remote control).

Adjust from 0 (minimum) to 30 and MAX (maximum).

Tip:

Volume level setting is retained during power-off standby. If the unit is turned off with the volume set to 21 or more, it is automatically turned down to 20 the next time the unit is turned on.

DEMO

If the clock has not been set, a DEMO appears on the display when the unit is turned off.

To deactivate and activate the DEMO

Press DEMO/ECO when the unit is turned off.

ECO mode

Setting this unit to power economizing mode reduces power consumption.

Press DEMO/ECO repeatedly (during power off) until "ECO MODE" is displayed.

The display disappears and the POWER indicator lights up.

Reduces power consumption with the following operations, etc.

ECO ON mode (Only when the clock is set)

- The unit blacks out when the unit is turned off. Only the red indicator lights up.
- If dimmer mode is set to on, the unit illumination brightens (for 4 seconds) only when you operate the unit.
- When the unit turns on with the timer recording, the dimmer mode is set to dimmest and the volume is set to minimum.

SOUND ADJUSTMENTS

Setting the clock

- 1 Press DISPLAY on the remote control.
- 2 Press ◀◀ or ▶▶ to set the time.
Each press changes the time in 1-minute steps. Holding it down changes the time in 10-minute steps.
If ◀◀ or ▶▶ is not pressed within 4 seconds, setting is canceled.
• MULTI JOG is also available in place of ◀◀ or ▶▶.
- 3 Press ■■SET.
The time display stops flashing and the clock starts from 00 seconds.

To display the time

Press DISPLAY on the remote control.
The time will be displayed for 4 seconds, but it cannot be displayed during recording.

To switch to the 24-hour standard

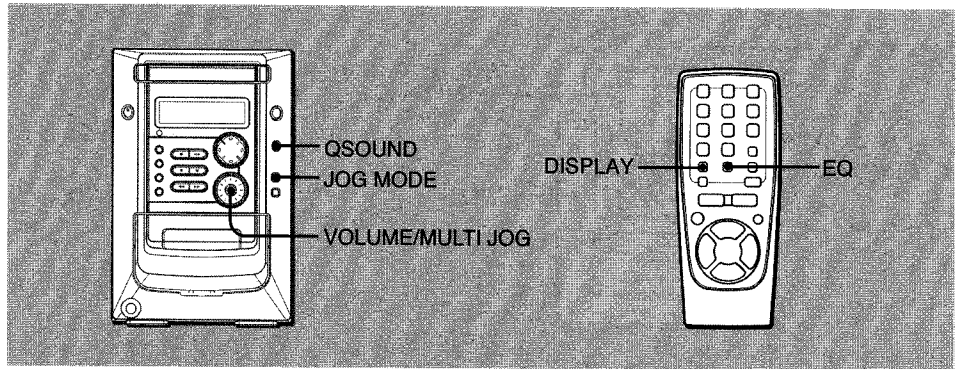
Display the time and press ■ within 4 seconds.
With each press, the clock alternates between the 12-hour standard and the 24-hour standard.

Tip:

In the 12-hour standard, "AM 12:00" indicates midnight and "PM 12:00" noon.

If the clock display flashes when the unit is turned off

There has been a power interruption. Re-set the clock.



Q SOUND

Enhances three dimensional sound area for stereo sources.

Press Q SOUND once, current Q SOUND mode is displayed. Within 4 seconds, press Q SOUND again to change the mode.

- At higher volumes, turning Q SOUND on may cause sound distortion. In this case, turn the volume down.

Super T-BASS

Emphasizes low frequencies for a powerful sound.

Press JOG MODE once, then turn VOLUME/MULTI JOG within 4 seconds to change the T-BASS level.

- When the sound becomes distorted with the T-BASS effect, cancel it.

Graphic equalizer

Selects a sound equalization curve to match the music type.

Press JOG MODE twice, then turn VOLUME/MULTI JOG within 4 seconds to select one of the three equalization curves.

- ROCK: Powerful sound emphasizing treble and bass
- POP: More presence in the vocals and midrange
- JAZZ: Accented lower frequencies for jazz type music

To select with remote control

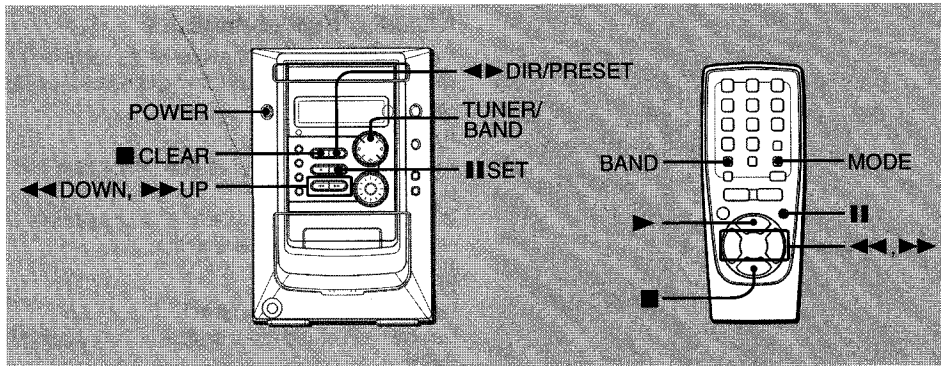
Press EQ repeatedly until the desired equalization curve is displayed.

To cancel equalization

Press JOG MODE twice, then turn VOLUME/MULTI JOG within 4 seconds to select "GEQ OFF".

Press EQ on the remote control repeatedly until "GEQ OFF" is displayed.

RADIO OPERATIONS



Manual tuning

- 1 Press TUNER/BAND (BAND on the remote control) repeatedly to select a band. The unit switches to the radio from any other function and alternates between FM and AM.
- 2 Press ◀◀DOWN or ▶▶UP to tune in to a station. "TUNE" is displayed when a station is tuned in. "((Ⓜ))" lights up for FM stereo reception.

To search for a station automatically (Auto Search)

- Hold down ◀◀DOWN or ▶▶UP. The unit searches for a station up or down the band and stops at reception. To stop the search manually, press ◀◀DOWN or ▶▶UP.
- Auto Search may not stop at stations with weak signals.

Preset tuning

Preset your favorite stations and tune them in directly.

Presetting stations

- 1 Press TUNER/BAND to select the band.
- 2 Press ◀◀DOWN or ▶▶UP to tune in to the desired station.
- 3 Press ||SET to store the station. The preset number, beginning from "1", appears on the display.
- 4 Repeat step 1 to 3 to preset other stations.

- You cannot store more than a total of 32 preset stations. "FULL" is displayed.

Tuning in to preset stations

On the unit

- 1 Press TUNER/BAND to select the band.
- 2 Press ◀▶DIR/PRESET repeatedly. With each press, the station with the succeeding preset number is tuned in.

On the remote control

- 1 Press BAND to select the band.
- 2 Press the numbered buttons for the preset number of your desired station.
 - To select preset number 20, press +10, +10 and 0.
 - To select preset number 15, press +10 and 5.

To clear a preset station

- 1 Tune in to the station by preset tuning.
- 2 Press ■CLEAR. "PUSH SET" is displayed. Press ||SET within 4 seconds. Preset numbers of preset stations in the band with higher numbers decrease by one.

Adjustments

Antennas

Keep antennas away from metallic objects, electrical equipment and cords.

FM antenna: Extend fully in a T-shape. If receiving condition is poor, connect optional outdoor antenna to FM 75 Ω terminal.

AM antenna: Rotate to find best reception.

To switch to monaural FM reception

Press MODE on the remote control. With each press, "MONO" and "STEREO" are displayed alternately on the display.

Tip:

When FM stereo reception is poor, switching to monaural reduces noise.

To switch the AM tuning interval

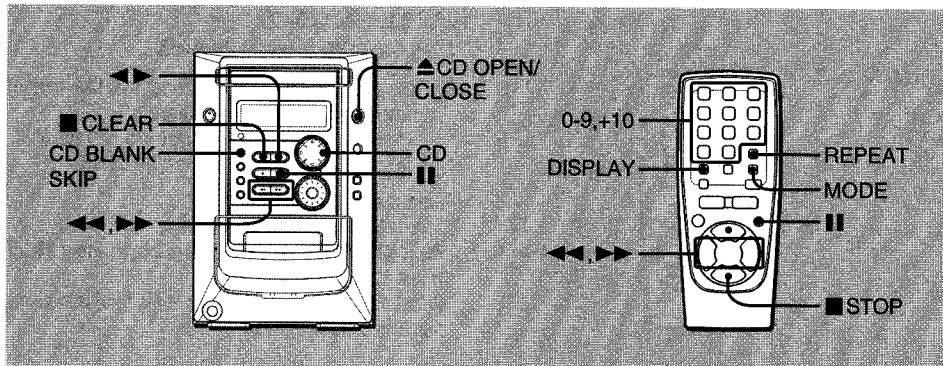
Hold down TUNER/BAND and press POWER. With each press, the AM tuning interval alternates between 9 kHz/step and 10 kHz/step.

Tip:

The default is 10 kHz/step. Change it only when using the unit in a 9 kHz/step area. Switching AM tuning interval clears all the preset stations.

En

CD OPERATIONS



This unit plays back finalized CD-R/RW discs as well as audio CDs.

Playback

- 1 Press CD and load disc.
Press **▲ CD OPEN/CLOSE** to open the disc compartment and load a disc with the labeled side up.
Close the compartment with **▲ CD OPEN/CLOSE**.
 - When loading an 8-cm (3-inch) disc, place it on the inner circle of the tray.
 - 2 Press **◀▶**.
Play begins with the first track.
- To stop playback**
Press **■**.
- To pause playback**
Press **⏸**. Press again to resume playback.

To skip to the beginning of the current/preceding/succeeding track

Press **◀◀** or **▶▶** repeatedly.

To search (playback in fast forward or fast reverse)

Hold down **◀◀** or **▶▶**. Release at the desired point.

To select a track with the remote control

Press the numbered buttons to select a track.

- To select track 25, press +10, +10 and 5.
- To select track 10, press +10 and 0.

To display the remaining playback time of the CD

Press **DISPLAY** repeatedly on the remote control. Press again to return to the elapsed time display.

- Remaining playback time cannot be displayed during random, repeat or programmed playback.

Random/Repeat playback

Random playback plays all the tracks on the disc in random order. Repeat playback plays all the tracks repeatedly on the disc.

RANDOM play

Press **MODE** on the remote control once, "RANDOM" lights up on the display.

To cancel random play, press the button once during play or press the button four times in stop mode.

REPEAT play

Press **REPEAT** on the remote control.

Each time **REPEAT** is pressed, the operation can be selected cyclically.

Tip:

- To repeat the entire disc, turn on "↺".
- To repeat the desired track, turn on "↺1".

Blank skip playback

The silent portions between tracks recorded on a CD can be skipped during playback.

1 Press CD BLANK SKIP.

"CD BLANK SKIP ON" is displayed scrolling and "⏮️➡️" will appear on the display.

2 Press ◀▶ to start playback.

The silent portions between tracks will be skipped, and the sound will be played back without interruption. If a track fades out (ends with the sound gradually decreasing), the fade-out period portion will also be skipped.

To return to normal playback

Press CD BLANK SKIP again so that "CD BLANK SKIP OFF" is displayed and "⏮️➡️" will disappear.

- Blank skip play cancels during programmed/random/repeat playback and edited CD recording.

Programmed playback

Playback up to 30 selected tracks in programmed order.

1 Press MODE repeatedly on the remote control during stop.

"PRGM" lights up on the display.

2 Press the numbered buttons on the remote control to program a track.

The selected track number lights up on the display.

-To select the 25th track, press +10, +10 and 5.

-To select the 10th track, press +10 and 0.

3 Repeat step 2 to program other tracks.

4 Press ▶.

- During programmed playback, you cannot select a track with the numbered buttons. "CAN'TUSE" is displayed when you try to select a track.
- If the total playback time of the program exceeds 99:59 minutes, or if a track with a track number exceeding 30 is programmed, the playing time is displayed as "- :- -".
- You cannot program more than 30 tracks. "FULL" is displayed.

To check the program

Press ◀◀ or ▶▶ repeatedly during stop. The track number and program number are displayed in succession.

To clear the program

Press ■ CLEAR during stop. "PRGM" disappears on the display.

To add tracks to the program

Repeat step 2 and 3 before starting playback. The tracks are added to the end of the program.

To change the programmed tracks

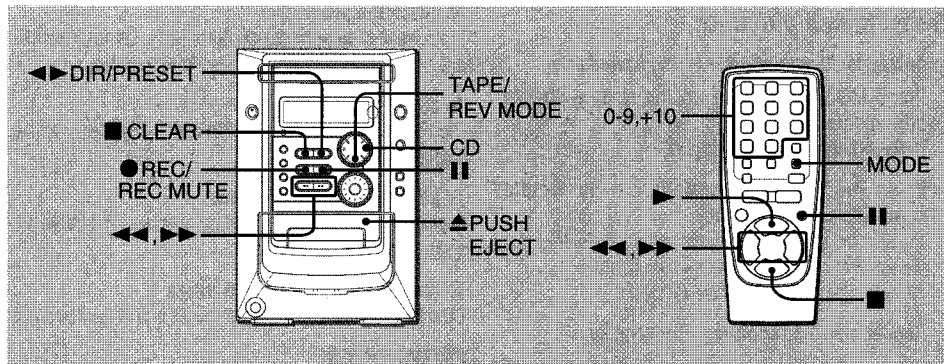
Clear the program and reselect the tracks in your desired order.

Notes on CDs

- Do not place more than one disc on one tray.
- Do not tilt the unit with discs loaded.
- The unit may not play a CD-R/RW disc recorded on personal computers or certain kinds of CD-R/RW recorders.
- Do not attach adhesive label, etc. to either side of a CD-R/RW disc, as doing so may cause malfunction.
- Do not load an unrecorded CD-R/RW disc. The disc may be damaged.
- Do not use irregular-shaped CDs.

En

TAPE OPERATIONS



To start play when the power is off (Direct Play Function)

Press TAPE/REV MODE. The power is turned on and play of the inserted tape begins.

Notes on cassettes

- Use of 120-minute or longer tapes is not recommended since they are extremely thin and easily deformed or damaged.
- Take up any slack in the tape with a pencil or similar tool before use. Slack tape may jam in the mechanism.

Basic recording

Use only type I (normal) tapes. Set the tape to the point where recording will start.

1 Insert the tape to be recorded on into deck.

Press ▲PUSH EJECT to open the cassette holder, and insert with the exposed side down and the side to be recorded on facing out from the unit.

Wind up the tape to the desired point if needed.

2 Press TAPE/REV MODE to select the reverse mode.

To record on one side only, select ☒.

To record on both sides, select ☐ or ☐.

3 Prepare the source.

To record CD(s), select the CD function and load disc(s).

To record a radio broadcast, tune in to the desired station.

To record from connected external equipment, select the VIDEO/AUX/TV function and prepare the equipment.

4 Press ●REC/REC MUTE to start recording.

When recording a CD, CD playback starts automatically. When recording input from connected equipment, manually start playback of the source.

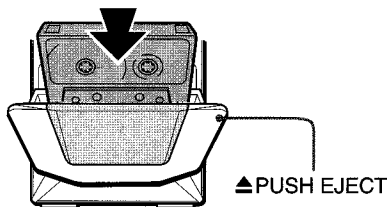
Playback

Use only type I (normal) tapes.

You can select a reverse mode to playback one or both sides.

1 Press TAPE/REV MODE.

Press ▲PUSH EJECT to open the cassette holder, and insert with the exposed side down and playback side facing out from the unit. Push the cassette holder to close.



2 Press ◀▶.

▶: The front side is being played (forward).

◀: The back side is being played (reverse).

To pause playback

Press |||. Press again to resume.

To fast forward or rewind

Press ◀◀ or ▶▶.

To change the playback side, press ◀▶ DIR/PRESET in play or pause mode.

To select a reverse mode

Each time TAPE/REV MODE is pressed, the reverse mode changes.

Tip:

To play one side only, select ☒.

To play from front side to back side once only, select ☐.

To play both sides repeatedly, select ☐.

To reset the tape counter

Press ■ CLEAR in stop mode, and the tape counter on the display is reset to "0000".

Opening and closing the cassette holder will also reset the tape counter.

To stop playback

Press ■.

- When recording on tape, close the disc compartment before starting to record.
- Volume or tone adjustment does not affect recording.
- “CAN’T REC” is displayed if you attempt to record a tape with the tab broken off.

To stop recording

Press ■.

To pause recording (only for TUNER or AUX/VIDEO source)

Press ■■. Press again to resume.

To record a selected set of tracks from a CD

Program the desired tracks (see “Programmed playback”) and then press ●REC/REC MUTE.

To record a 4-second blank space (only for TUNER or AUX/VIDEO source)

1 Press ●REC/REC MUTE during recording or in recording pause mode.

“REC” flashes on the display for 4 seconds (a blank space is made in the meantime) and then the unit enters recording pause mode.

To record less than a 4-second blank space, press ●REC/REC MUTE again while “REC” flashes.

To record more than a 4-second blank space, press ●REC/REC MUTE again after the unit enters recording pause mode. Each time the button is pressed, a 4 second blank space is added.

2 Press ■■ to resume recording.

To erase a tape

1 Insert the tape to be erased into the deck. Set the tape to the desired point if needed.

2 Set the reverse mode by pressing TAPE/REV MODE.

3 Press AUX/VIDEO and turn the connected equipment off.

4 Press ●REC/REC MUTE.

Edited CD recording

AI Edit Recording

When recording a whole CD, AI Edit Recording takes the length of your tape into account and rearranges the recording order of the tracks if necessary, so that no track is cut short at the end of the side. Prepare a tape long enough to record the CD.

1 Insert the tape into deck.

2 Press CD to select the CD function and load the disc.

3 Press MODE repeatedly on the remote control until “AI EDIT” appears on the display.

The “AI” and “EDIT” indicator flashes and lights up respectively. “AI C-00” appears on the display.

4 Press the numbered buttons on the remote control to enter the length of the recording tape.

10 to 99 minutes can be specified.

- For a 60-minute tape press 6 and 0.

In a few seconds, the unit determines the tracks to be recorded for each side.

The recording time left for side A appears on the display.

• ◀▶ can also be used to specify tape length.

5 Press ●REC/REC MUTE to start recording.

The tape is rewound to the beginning of the front side, the lead segment is played through for 10 seconds, and recording starts. When recording on the front (side A) ends, recording on the back (side B) starts.

To stop recording

Press ■. Recording and CD play stop simultaneously.

To clear the edit program

Press ■ CLEAR twice so that “EDIT” disappears on the display.

To check the order of the programmed track numbers

Before recording, press MODE on the remote control to select side A or B, and press ◀▶ or ▶▶ repeatedly.

- AI Edit Recording cannot be used with discs with more than 30 tracks. “TR OVER” is displayed.
- Recording cannot start from a point halfway in the tape.



Programmed Edit Recording

As you program the CD tracks to record, Programmed Edit Recording displays the remaining recording time for each side of the tape, so you can easily select a set of desired tracks within the length of your tape.

- 1 Insert the tape into the deck.
- 2 Press CD to select the CD function and load the disc.
- 3 Press MODE repeatedly on the remote control until "PRGM EDIT" appears on the display. The "PRGM" and "EDIT" indicator flashes and lights up respectively. "PRGMC-00" appears on the display.
- 4 Press the numbered buttons on the remote control to enter the length of the recording tape. 10 to 99 minutes can be specified.
 - ◀◀, ▶▶ can also be used to specify tape length.
- 5 Press the numbered buttons on the remote control to select the first track to be recorded on side A.
 - To select the 25th track, press +10, +10 and 5.
 - To select the 10th track, press +10 and 0.
- 6 Repeat step 5 to select the rest of the tracks for side A.

The remaining recording time of side A is displayed. You cannot select a track with a longer playing time.
- 7 Press MODE on the remote control to switch to side B and select the tracks for the side.

After confirming "B" on the display, repeat step 5.

- 8 Press ● REC/REC MUTE to start recording.

The tape is rewound to the beginning of the front side, the lead segment is played through for 10 seconds, and recording starts. When recording on the front (side A) ends, recording on the back (side B) starts.

- You cannot program more than 30 tracks. "FULL" is displayed.
- You cannot program a track with a track number larger than 30.
- Recording cannot start from a point halfway in the tape.

To stop recording

Press ■. Recording and CD playback stop simultaneously.

To check the program

- 1 Before recording, press MODE on the remote control to select side A or B.
- 2 Press ◀◀ or ▶▶ repeatedly. The track number and program number are displayed in succession.

To change the program of each side

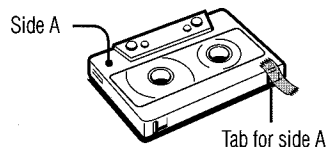
Press MODE on the remote control to select side A or B, and press ■ CLEAR to clear the program for the selected side. Then, select tracks again.

To clear the edit program

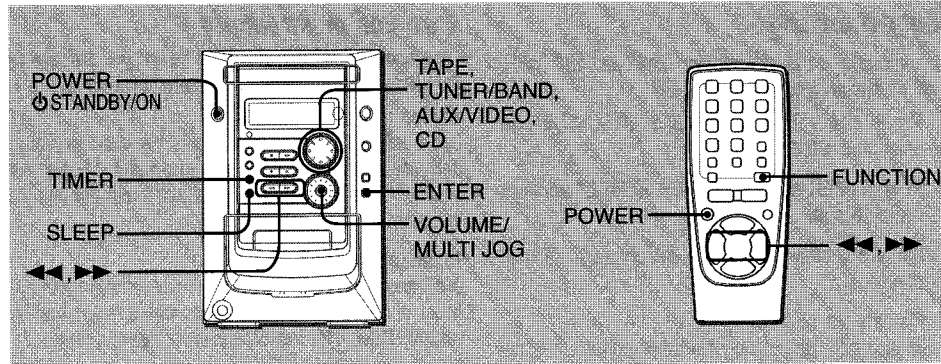
Press ■ CLEAR twice so that "EDIT" disappears from the display.

To prevent accidental erasure

Break off the plastic tab of the cassette tape with a screwdriver or other pointed tool. To record on the tape again, cover the detection slot with adhesive tape.



TIMER OPERATIONS



Sleep timer

Turns off the unit automatically after a specified time.

- 1 Press SLEEP.
"SLEEP" appears on the display.
- 2 Press ◀ or ▶ repeatedly to set the sleep timer duration.
With each press, the timer duration changes in 5-minute steps between 5 to 240 minutes. If there is no button input for 4 seconds, the current setting is entered automatically. The unit turns off after the selected time.
• MULTI JOG is also available in place of ◀ or ▶.

To check the remaining time until the unit turns off
Press SLEEP. The remaining time is displayed for 4 seconds.

To cancel the sleep timer
Press SLEEP twice so that "SLEEP OFF" is displayed.

Timer playback

Turns on the unit at a specified time for the specified duration.
Make sure the clock is set correctly.

- 1 Press one of the function buttons to select the desired playback source.
- 2 Press TIMER.
"⌚" indicator lights up and "⌚ PLAY" appears on the display. Then, the timer-on time and the source name appear alternately on the display.
- 3 Press ◀ or ▶ to set the timer-on time, then press ENTER.
If ◀ or ▶ is not pressed within 6 seconds, you will exit the timer setting mode and the previous setting, however, is entered.
• MULTI JOG is also available in place of ◀ or ▶.

- 4 Press ◀ or ▶ to set the timer-activated duration, then press ENTER.

With each press, the timer-activated duration changes in 5-minute steps between 5 to 240 minutes.

If there is no button input for 4 seconds, the current setting is entered automatically.

- MULTI JOG is also available in place of ◀ or ▶.

- 5 Adjust the volume and tone for timed playback.
If the volume level is set to 21 or higher, it is automatically turned down to 20 when the unit is turned on by the timer.

- 6 Prepare the source.

To play CD, load disc.

To play the radio, select the band and tune in to the desired station.

To play a tape, insert the tape.

To play external equipment connected to the VIDEO/AUX jacks, set an external timer for the equipment so that its playback begins at the same time.

- 7 Press POWER (with a circle and a vertical line through it) STANDBY/ON to turn the unit off.

"⌚" remains on the display to indicate the timer standby mode.

At timer-on time, the unit turns on and plays the selected source. After the specified timer-activated duration, the unit turns off again.

- Timer playback will not begin unless the unit is turned off first.
- Connected equipment cannot be turned on or off by the built-in timer of this unit. Use an external timer.
- The timer source can be changed with the function buttons before completing step 3.

En

To display the timer setting

Press **TIMER**.

The timer-on time, the source and the timer-activated duration are displayed for 6 seconds.

Tip:

Timer setting can be displayed even while the unit is turned off, and at that time if you press **ENTER** within 6 seconds after **TIMER** is pressed, you can enter the timer setting mode and change the setting.

To change the timer setting

Re-set the timer again.

To cancel the timer

Press **TIMER** repeatedly until "⏸ OFF" is displayed. "⏸" disappears from the display.

Tip:

Your timer setting is retained even if the timer is canceled. Next time the timer is activated, you can change your previous setting, or simply use the same setting again.

Timer recording

Timer recording is available only for TUNER and AUX/VIDEO (with an external timer) sources.

- 1 Press either **TUNER/BAND** or **AUX/VIDEO** to select a source.
- 2 Press **TIMER** repeatedly until "⏸ REC" appears on the display.
- 3 Carry out step 3 to step 5 described in "Timer playback".
- 4 Prepare the source.
To record the radio, select the band and tune in to the desired station.
To record external equipment connected to the VIDEO/AUX jacks, set an external timer for the equipment so that its playback begins at the same time.
- 5 Insert the recording tape and then turn the unit off.

REFERENCE

Care and maintenance

Occasional care and maintenance of the unit and the software are needed to optimize the performance of your unit.

To clean the cabinet

Use a soft and dry cloth. If the unit surfaces are extremely dirty, use a soft cloth lightly moistened with mild detergent solution. Do not use strong solvents such as alcohol, benzine or thinner.

To clean the tape heads

Dirty tape heads cause sound deterioration. After every 10 hours of use, clean the tape heads with a head cleaning cassette. Refer to the instructions of the cleaning cassette.

To demagnetize the tape heads

Use a demagnetizing cassette after every 20 to 30 hours of use. Refer to the instructions of the demagnetizing cassette.

Care of CDs

When a CD becomes dirty, wipe it from the center out with a cleaning cloth. After playing a CD, store it in its case. Do not keep it in hot or humid places.

Care of tapes

Store tapes in their cases after use. Do not leave tapes near magnets, motors, television sets, or any source of magnetism. Do not expose tapes to direct sunlight, or leave them in a car parked in direct sunlight.

Resetting the unit

If an unusual condition occurs in the display window or the cassette deck, reset the unit as follows:

- 1 Press **POWER** to turn off the power.

If the power cannot be turned off, disconnect the AC power cord, then plug it in again.

- 2 Hold down **■** and press **POWER**.

Everything stored in memory after purchase is cleared.

Troubleshooting

If your unit fails to perform properly, check the following guide and the relevant sections of the Operating Instructions.

There is no sound.

- Are the speakers and AC power cord connected properly?

The unit shut off suddenly.

- Possibly a short circuit in the speaker terminals. Disconnect the AC power cord from the AC power outlet and re-connect the speaker cords correctly.

The unit blacks out when the unit is turned off.

- Is ECO mode set to on?

Erroneous display.

- Reset the unit.

Poor radio reception.

- Check antenna connection. Adjust the antenna to find the best reception.
- Move unit and antenna away from other electric appliances and cords.

The tape does not run.

- Is the deck in pause?

Poor tape sound.

- Check for dirty heads. Clean them if needed.
- Use type I (normal) tapes.

Cannot record.

- Is the erasure prevention tab of the tape broken off? If so, cover the detection slot with adhesive tape.

The CD player works poorly.

- Is the disc correctly loaded?
- Is the disc dirty?
- Is the lens affected by condensation? If so, wait approximately one hour and try again.

Specifications

MAIN UNIT XR-M171

TUNER

FM tuning range	87.5 MHz to 108 MHz
FM usable sensitivity (IHF)	13.2 dBf
FM antenna terminals	75 ohms (unbalanced)
AM tuning range	530 kHz to 1710 kHz (10 kHz step) 531 kHz to 1602 kHz (9 kHz step)

AM usable sensitivity	350 μ V/m
AM antenna	Loop antenna

AMPLIFIER

Power output	8 W + 8 W (50 Hz - 20 kHz, THD less than 1 %, 16 ohms) 10 W + 10 W (1 kHz, THD less than 10 %, 16 ohms)
--------------	--

Total harmonic distortion	0.2 % (6 W, 1 kHz, 16 ohms, DIN AUDIO)
---------------------------	--

Input	VIDEO/AUX: 0.4 V
Outputs	SUB WOOFER: 500 mV SPEAKERS: 16 ohms or more PHONES: 32 ohms or more

CASSETTE DECK

Track format	4 tracks, 2 channels stereo
Frequency response	50 Hz - 15 kHz
Recording system	AC bias
Heads	Recording/playback x 1, erase x 1

CD PLAYER

Laser	Semiconductor laser ($\lambda = 780$ nm)
D/A converter	1 bit dual
Signal-to-noise ratio	75 dB (1 kHz, 0 dB)
Harmonic distortion	0.2 % (1 kHz, 0 dB)

GENERAL

Power requirements	120 V AC, 60 Hz
XR-M171:	
Power consumption	35 W
Power consumption in standby mode	With ECO mode on: 1.0 W With ECO mode off: 10 W
Dimensions (W x H x D)	167 x 255 x 240 mm (6.5 x 10 x 9.5 in.)
Weight	3.5 kg (7 lbs 12 oz)

SPEAKERS SX-LM171

Speaker system	2 way, bass reflex
Speaker units	Woofer: 120 mm (4.7 in.) cone Tweeter: 20 mm (0.78 in.) ceramic
Impedance	16 ohms
Dimensions (W x H x D)	144 x 255 x 204 mm (5.7 x 10 x 8 in.)
Weight	1.0 kg (2 lbs 3 oz)

Specifications and external appearance are subject to change without notice.

COPYRIGHT

Check copyright laws relevant to recordings from discs, radio or tape for the country where the unit is to be used.



NOTE

This equipment has been tested and found to comply with the limits for a Class B digital device, pursuant to Part 15 of the FCC Rules. These limits are designed to provide reasonable protection against harmful interference in a residential installation.

This equipment generates, uses, and can radiate radio frequency energy and, if not installed and used in accordance with the instructions, may cause harmful interference to radio communications. However, there is no guarantee that interference will not occur in a particular installation. If this equipment does cause harmful interference to radio or television reception, which can be determined by turning the equipment off and on, the user is encouraged to try to correct the interference by one or more of the following measures:

- Reorient or relocate the receiving antenna.
- Increase the separation between the equipment and receiver.
- Connect the equipment into an outlet on circuit different from that to which the receiver is connected.
- Consult the dealer or an experienced radio/TV technician for help.

CAUTION

Modifications or adjustments to this product, which are not expressly approved by the manufacturer, may void the user's right or authority to operate this product.

For assistance and information
call toll free 1-800-BUY-AIWA
(United States and Puerto Rico)